

OVERVIEW AMPLIFIER PLUG-IN MODULES

AGC 503 G

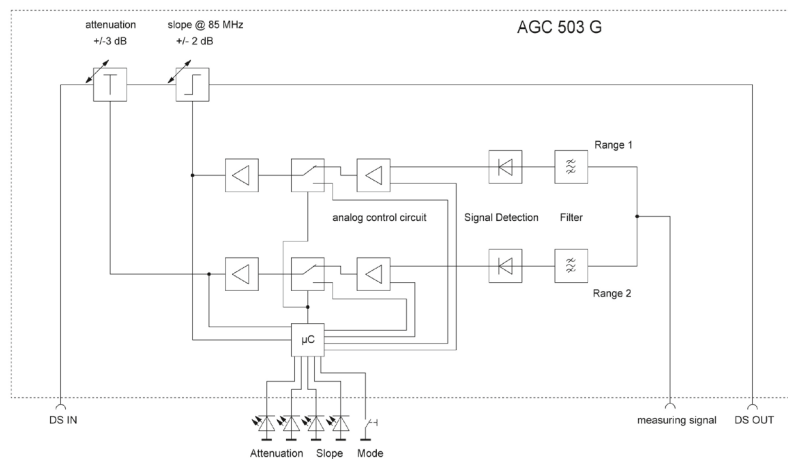
- Application in coaxial networks with temperature sensitive installation
- Automatic gain and slope control
- Level detection in different frequency ranges independant of modulation schemes
- Simple automatic level and slope adjustment at the touch of a button



AGC 502 G

- Application in coaxial networks with temperature sensitive installation
- Automatic gain control
- Level detection over a couple of channels independant of modulation schemes
- Simple automatic level adjustment at the touch of a button

Type	AGC 502 G	AGC 503 G
Item No.	57002493	57003964
Description	AGC Module	AGC Module
Frequency range	MHz 85-1218	85-1218
Linearity	dB ± 0.2	± 0.2
Through loss	dB 2	2
Gain control	dB ± 3	± 3
Slope control	dB ± 2	± 2
Pilotone 1	MHz 244 ...283	244 ...283
Pilotone 2	MHz	598...750
Temperature control range	C ° -30...+60	-30...+60
Dimensions / Weight	mm / kg 29 x 37 x 10 / 0.05	29 x 37 x 10 / 0.05



AM / VM-Plug-in modules

- Taps- and splitter modules for LHD / NVD

Type	VM 302	AM 301-08A	AM 301-08B
Item No.	57002092	57003889	57003760
Description	2-way splitter	1-way tap	1-way tap
Frequency range	MHz 5-1218	5-1218	5-1218
Loss	dB 4.5	1.3 / 8.0	1.3 / 8.0
Type		Tap out	Line out
NVD 9xxx	■	■	■
LHD 4x	■	■	■

For detailed application of VM / AM modules please refer to the respective block diagram